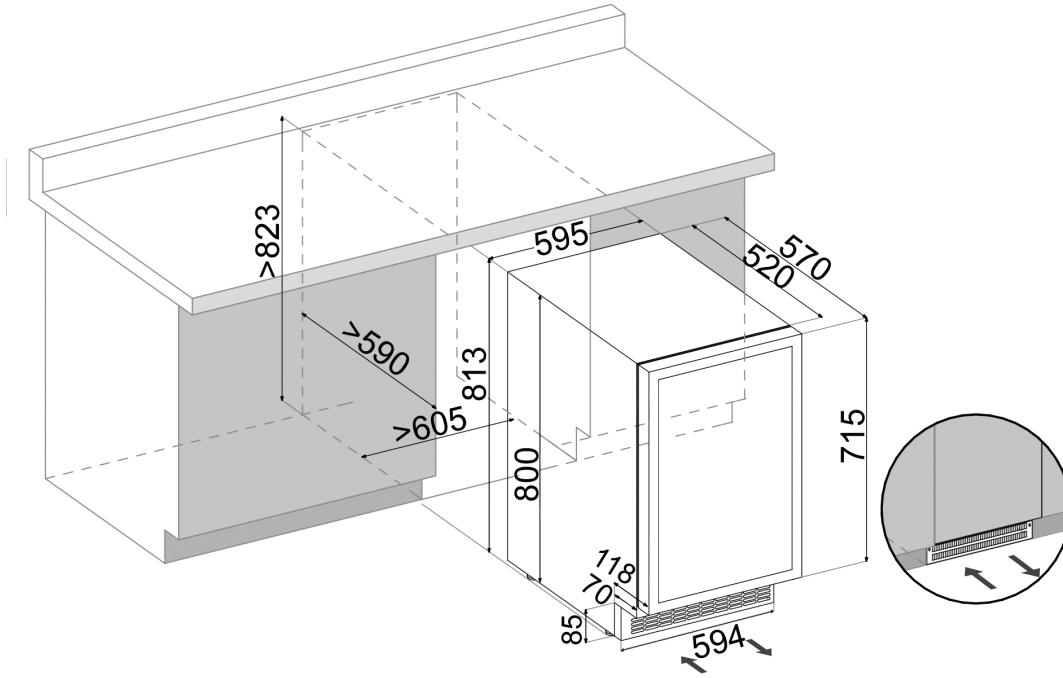
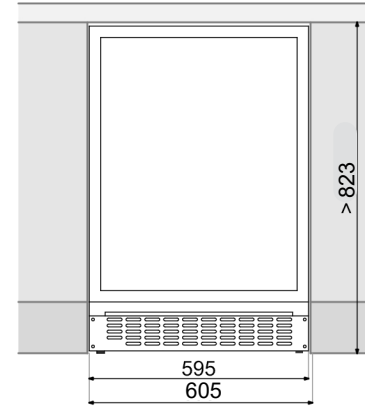


DUNAVOX SERA-40

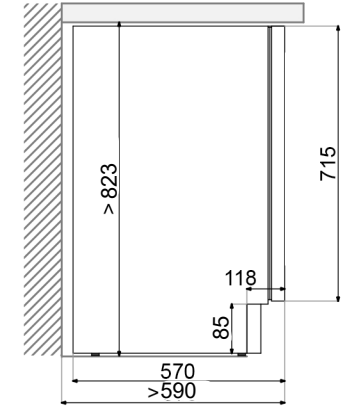
DAU-40.138B, SS



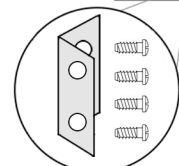
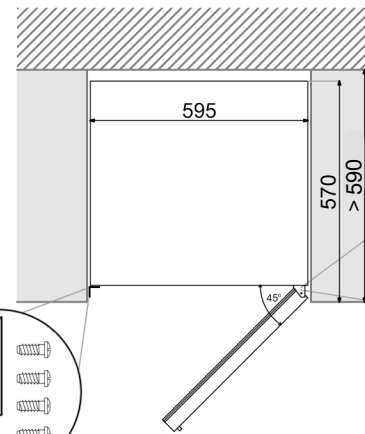
Front View



Side View



Top View



IMPORTANT WARNING
The product must be secured

