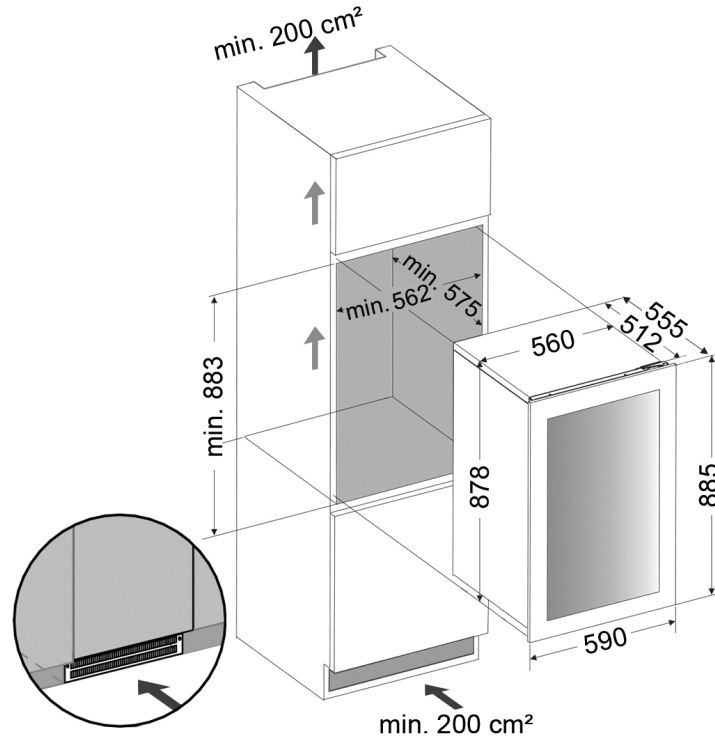


## DUNAVOX BALANCE-42.TO

DXB-42.100DB.TO



Front and rear plinth ventilation is needed.

